

# Micro Switch Photoelectric Sensors

MLS2B Series/MLS7A Series



## FEATURES

- 2500-foot thru scan range
- Sealing: NEMA 1, 3, 4, 12 & 13
- UL-CSA listed
- False pulse, industrial noise, and line transients protection
- Sensitivity adjustment
- Built-in L.O.-D.O. mode switch
- Plug-in earphone alignment aid
- Plug-in 10 amp DPDT relay
- Optional mounting bracket

- Optional plug-in logic circuit cards
- Cast aluminum housing
- Supply voltage: 105 to 130 VAC or 210 to 260 VAC, 50/60 Hz
- Typical response time: 30 msec. On/Off
- Temperature range: -40° to 158°F (-40° to 70°C)
- Weight: 8 lbs. (3,6 kg)

## ORDER GUIDE

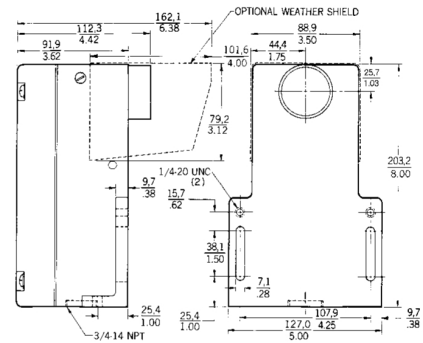
Description	Catalog Listing
Emitter — 115 VAC input	FE-MLS2EB-LR
Receiver — 115 VAC input	FE-MLS2RB-LR

Add suffix -T230 for the 230 VAC model of any of the above.

## REPLACEMENT PARTS

Description	Catalog Listing
Relay, standard DPDT plug-in	FE-S2443
Earphone alignment aid	FE-EARPHONE
Lens holder (lens, lens housing, mounting nut) (for MLS2E A or B series)	FE-LH-MLS2E
Lens holder (lens, lens housing, mounting nut) (for MLS2R A or B series)	FE-LH-MLS2R

## MOUNTING DIMENSIONS



## FEATURES

- 10-foot retroreflective scan range with FE-RR1 reflector
- 12 to 16 VDC operation
- Sealing: NEMA 1, 3, 4, 12 & 13\*
- UL and CSA recognized
- Reverse polarity and short circuit protection
- Cast aluminum housing epoxy finish
- Prewired with 39 inches shielded 20 ga. cable
- Load current: 120 mA max., light operated (current sinking)
- Typical response time: 4 msec On/Off
- Temperature range: -40° to 158°F (-40° to 70°C)
- Weight 10.5 oz. (298 g)



Flange Mount



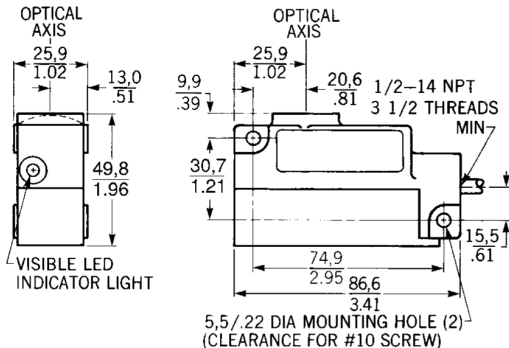
Side Mount

## ORDER GUIDE

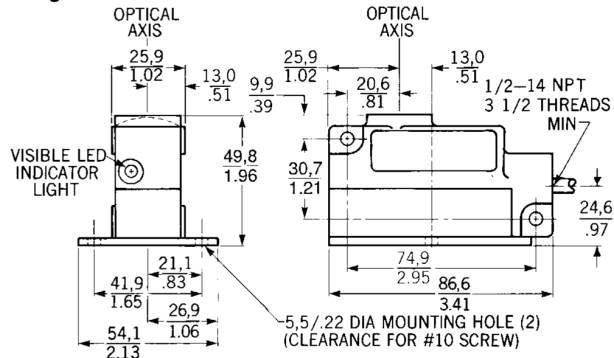
Description	Catalog Listing
12 VDC normally open (N.O.) light operated; side mount	FE-MLS7A-1011
12 VDC N.O. light operated; flange mount	FE-MLS7A-2011

## MOUNTING DIMENSIONS (For reference only)

### Side Mount



### Flange Mount



See pages 717-720 for pricing